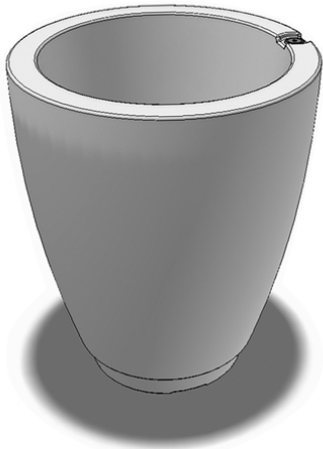


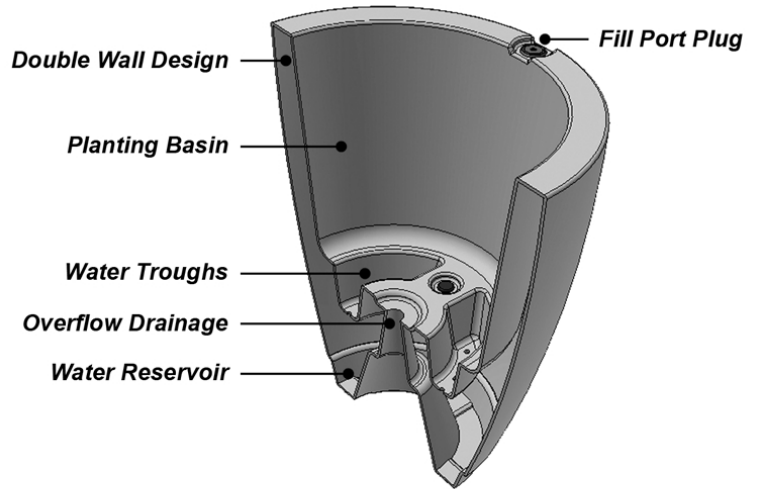
#MIS113

Model #5905

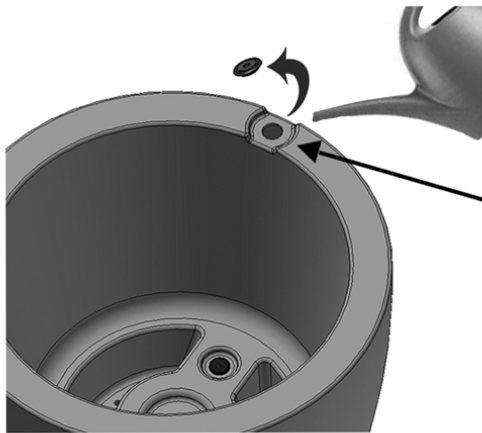
# Caprio designer planter



Polyresin Planter  
UV Protected  
Shock Resistant  
All Weather Material



- Built-in water reservoir and overflow drainage hole.
- Avoid using garden soil or top soil for container planting, it's often too dense and restricts air circulation. A potting mix is strongly recommended and will ensure better plant growth.
- Rinse clean with a garden hose; for a deeper clean, use a power washer.
- **15-year** warranty residential use, **5-year** warranty commercial use.



Remove fill port plug for direct access to the water reservoir.



**MAYNE**<sup>®</sup>  
Outdoor Products of Distinction  
[gomayne.com](http://gomayne.com)

For customer service inquiries email [customerservice@gomayne.com](mailto:customerservice@gomayne.com) or call toll free at 866-363-8834 (available Monday through Friday, 8am-5pm EST).